

PRE-CRUSHERS

445XHD, 645XHD & APC Series



▶ Wastequip Pre-crushers offer extreme crushing power, with maximum force ranging from 70,000 to 141,000 pounds, making them some of the most powerful in the industry.

▶ Waste is pre-crushed in a steel chamber for greater density than standard compactors.
▶ Pre-crushers provide up to 150% more crushing power than standard compactors.

IDEAL FOR:



Wood Pallets



Metal Drums



Appliances



Furniture



Product Destruction

EXTRA-HEAVY-DUTY MODELS



445XHD-PC
(Shown with optional hopper and loading door and weather cover removed)



645XHD-PC
(Shown with optional side-fed hopper and vented weather cover)

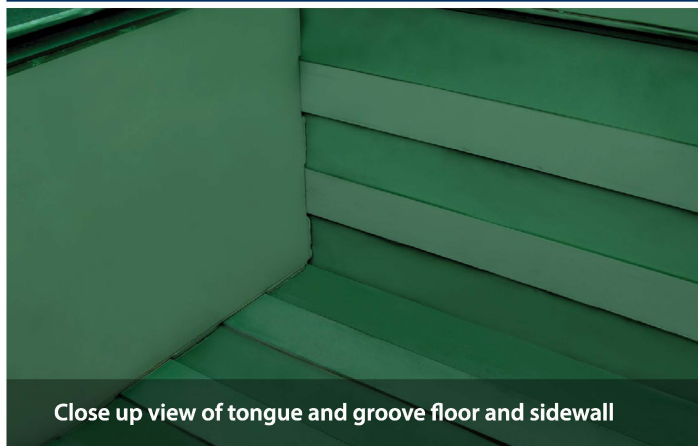
SPECIFICATIONS		445XHD-PC	445XHD-7-PC	645XHD-PC	645XHD-7-PC20	645XHD-7-PC30
CHARGE BOX	Wastequip rating	4.00 cubic yards		6.00 cubic yards		
	Wastec rating	2.59 cubic yards		4.12 cubic yards		
	Clear top opening	58.5" length x 60" width		60" length x 97-1/2" width		
	Compactor weight with power unit	9,200 lbs.	10,000 lbs.	11,900 lbs.	12,200 lbs.	
RAM	Ram height	30.50"		30.50"		
	Ram penetration	14.00"		15.00"		
	Face plate	1/2" steel with 3/4" stiffener plates				
	Base plate	3/8" AR plate with 3" channels at 24" spacing				
	Top plate	1/4" formed plate		1/4" formed plate with 3" channels at 12" spacing		
	Side plates	1/4" formed plate		1/4" formed plate		
COMPACTOR HEAD	Floor	1/2" AR plate with 4" channels at 12" spacing		1/2" AR plate with 4" channels at 12" spacing		
	Sides	1/4" steel plate sheets with 4" x 3" vertical tube stiffeners, 3" x 2" horizontal stiffeners		1/4" steel plate sheets with 4" x 3" vertical tube stiffeners, 3" x 2" horizontal stiffeners		
	Breaker bar	8" x 8", 1" angled steel		8" x 8", 1" angled steel		
	Top deck	11 gauge steel (standard)		11 gauge steel (standard)		
ELECTRICAL	Electric motor	15 hp (TEFC)		15 hp (ODP)	20 hp (ODP)	30 hp (ODP)
	Voltage	208/230/460, 3-phase 60 Hz		208/230/460, 3-phase 60 Hz		
	Power box	UL rated		UL rated		
	Automated cycle operation	Turn-key switch-ram extends, retracts & stops automatically		Turn-key switch-ram extends, retracts & stops automatically		
HYDRAULIC PERFORMANCE	Pump	16.0 gpm	15.0 gpm	15.0 gpm		
	Pump type	Fixed vane				
	Hydraulic oil tank	25-gallon reservoir	56-gallon reservoir	56-gallon reservoir		
	Cylinder bore/rod/stroke	6.25" bore, 4.75" rod, 80" stroke	7.25" bore, 4.75" rod, 80" stroke	6.00" bore, 4.50" rod, 120" stroke	7.00" bore, 4.50" rod, 120" stroke	
	Normal ram face pressure	64,400 lbs. at 2,100 psi	82,500 lbs. at 2,000 psi	59,300 lbs. at 2,100 psi	80,800 lbs. at 2,100 psi	
	Maximum ram face pressure	70,500 lbs. at 2,300 psi	88,700 lbs. at 2,150 psi	67,800 lbs. at 2,400 psi	88,500 lbs. at 2,300 psi	
	Normal ram psi	35.19 psi	45.08 psi	32.40 psi	44.15 psi	
	Maximum ram psi	38.52 psi	48.47 psi	37.05 psi	48.36 psi	
	Cubic yard per hour	164	163	252		
	Power unit location	Remote		Remote		
Cycle time	57 seconds		59 seconds			
CONTAINER SPECS	Rated	70,000 lbs.	90,000 lbs.	70,000 lbs.	90,000 lbs.	
	Ratchet binders	1-3/8" ratchet binders with 1" hooks standard	1-3/4" ratchet binders with 2" hooks standard	1-3/8" ratchet binders with 1" hooks standard	1-3/4" ratchet binders with 2" hooks standard	

EXTREME-DUTY MODELS



APC-526

STANDARD FEATURES FOR ALL MODELS



Close up view of tongue and groove floor and sidewall

	SPECIFICATIONS	APC-426	APC-526
CHARGE BOX	Wastequip rating	4.00 cubic yards	5.00 cubic yards
	Wastec rating	3.49 cubic yards	4.29 cubic yards
	Clear top opening	83.5" length x 56" width	106" length x 56.125" width
	Compactor weight with power unit	17,466 lbs.	18,855 lbs.
RAM	Ram height	27"	
	Ram penetration	21"	
	Face plate	3/4" AR plate 42" x 58"	
	Base plate	3/8" AR plate	
	Top plate	3/8" AR A36 plate	
COMPACTOR HEAD	Side plates	3/8" AR A36 plate	
	Floor	3/4" AR plate	
	Sides	3/8" AR plate	
	Breaker bar	6" x 2" x 1/4" doubled with 1" x 6" x 6" angle face	
ELECTRICAL	Top deck	3/8" A36 PL	
	Electric motor	20 hp *30 HP option	
	Voltage	208/230/460, 3 phase 60 Hz	
	Power box	UL rated	
HYDRAULIC PERFORMANCE	Automated cycle operation	Turn key switch-ram extends, retracts & stops automatically	
	Pump	29 gpm	
	Pump type	Double vane	
	Hydraulic oil tank	64-gallon reservoir	
	Cylinder bore/rod/stroke	(2) 6.00" bore, 4.50" rod, 116" stroke	(2) 6.00" bore, 4.50" rod, 136" stroke
	Normal ram face pressure	127,200 lbs at 2,250 psi	127,200 lbs at 2,250 psi
	Maximum ram face pressure	141,400 lbs at 2,500 psi	141,400 lbs at 2,500 psi
	Normal ram psi	79.8 psi	79.8 psi
	Maximum ram psi	88.7 psi	88.7 psi
	Cubic yard per hour	116	161
	Power unit location	Remote	
Cycle time	99 seconds	114 seconds	
CONTAINER SPECS	Rated	90,000 lbs.	90,000 lbs.
	Ratchet binders	1-3/4" ratchet binders with 2" hooks standard	

AR (abrasion-resistant) tongue and groove floor:

Limits destroyed material from becoming trapped between the ram and the floor.

AR (abrasion-resistant) tongue and groove side walls:

Limits destroyed material from becoming trapped between ram and side walls.

Fully automatic cycling:

Simply turn the key to the crush mode position for fully automatic cycling, which provides easier and more efficient operation.

Advanced PLC (Programmable Logic Controller) can be set to crush against the blade multiple times, if needed.

Full light:

Alerts operator when the container is full.

Side access panels:

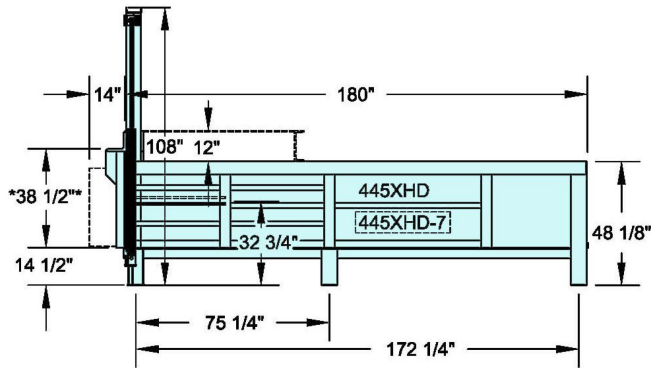
Easily removable for preventative maintenance and servicing.

NEMA 4 rated control panel:

Provides additional protection against splashing water, hose-directed water, and dust.

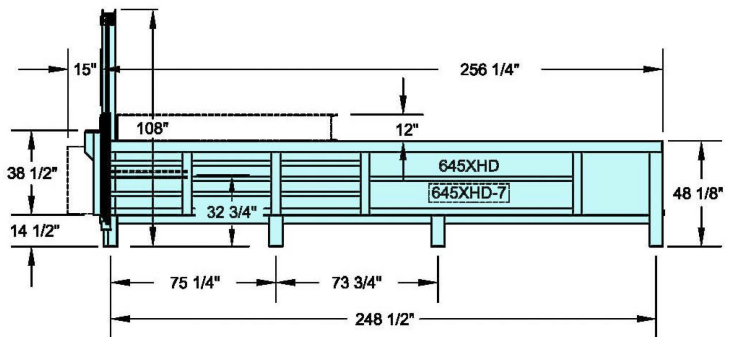
PRE-CRUSHER DIMENSIONS

445 MODELS



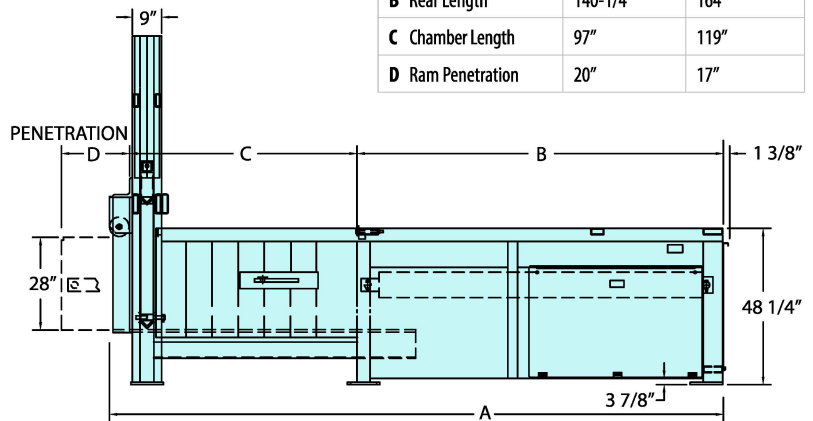
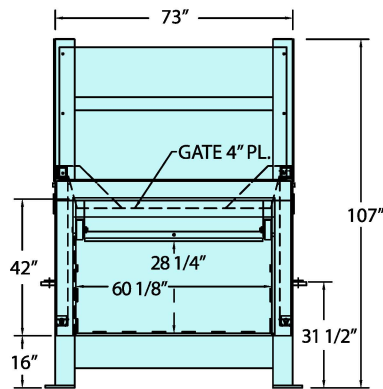
* DISCHARGE OPENING O.D. *

645 MODELS



DISCHARGE OPENING O.D.

APC MODELS



PRE-CRUSHER MODEL	APC-426	APC-526
A Overall Length	242-3/4"	289-1/4"
B Rear Length	140-1/4"	164"
C Chamber Length	97"	119"
D Ram Penetration	20"	17"



Replacement parts available online
at www.gotoparts.com.

Standard Color Choices



Colors shown are as accurate as printing allows. The actual color is subject to variation from the printed color sample. Color choices vary by plant location. Please contact your local sales representative for available colors. Custom colors are available upon request and are subject to an additional charge.



Tel: 877.468.9278 | sales@wastequip.com | www.wastequip.com

Wastequip is the leading North American manufacturer of waste and recycling equipment for collecting, processing, and transporting recyclables and solid or liquid waste. © Wastequip. All rights reserved. Specifications subject to improvement without notice. Equipment displayed should be operated by properly trained personnel. Operators should become familiar with OSHA, ANSI, and any other applicable standards or laws for using this equipment. Improper use, misuse, or lack of maintenance could cause injury to people and/or property. Photos used in the literature are illustrative only. We assume no liability or responsibility for proper training/operation of equipment not manufactured by Wastequip. We reserve the right to make changes at any time without notice. Information contained within this literature is intended to be the most accurate available at time of printing.